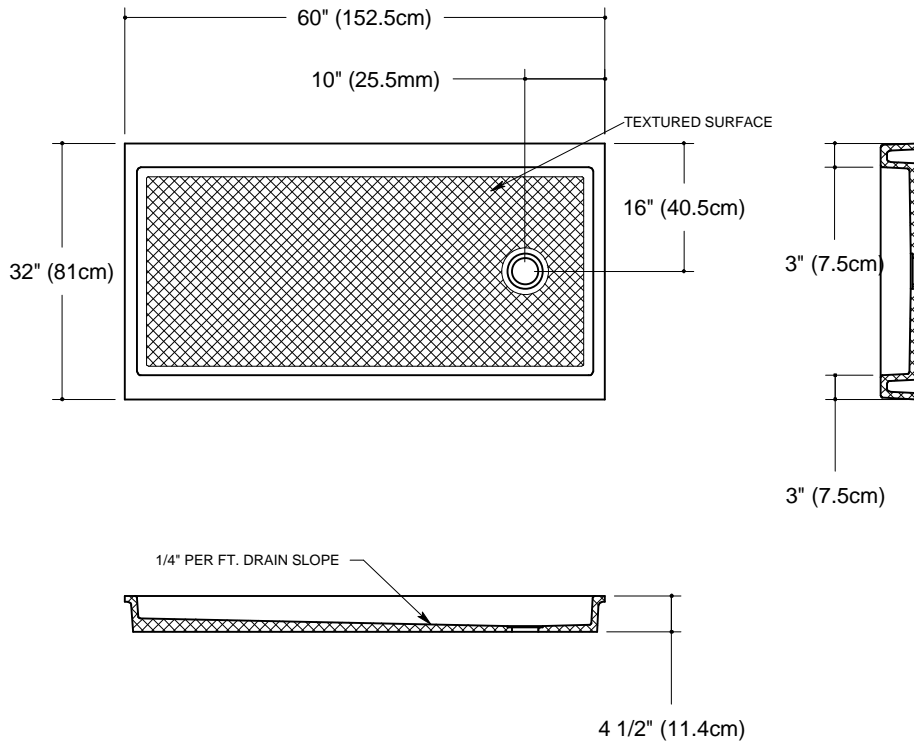


GRUBER SYSTEMS RESERVES THE RIGHT TO CHANGE THIS INFORMATION AT ANY TIME WITHOUT PRIOR NOTICE. ISSUED BY GRUBER SYSTEMS INC., 25636 AVENUE STANFORD, VALENCIA, CA 91355, USA. COPYRIGHT 2001



MOLD PART	CATALOG No.	DESCRIPTION
MALE	23006	1050-6 SHOWER T 60 x 32
FEMALE	430068	F 1050-6 INSERT
NAME	1050-6 SHOWER PAN 60 x 32	
CAST WEIGHT	SCALE 1/2" = 1' 0"	DATE 8-1-01
		PAGE No.