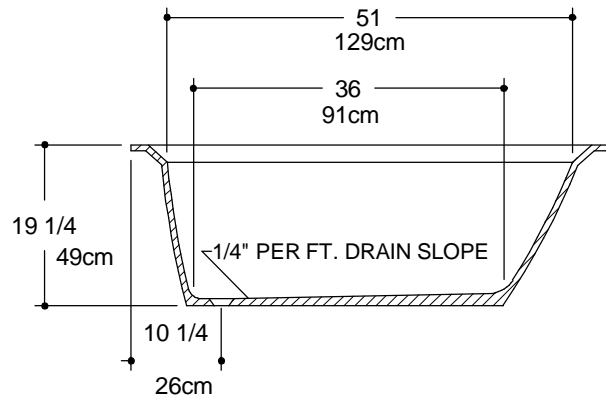
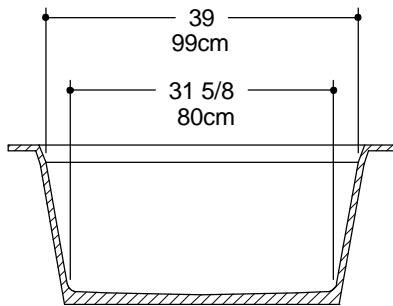
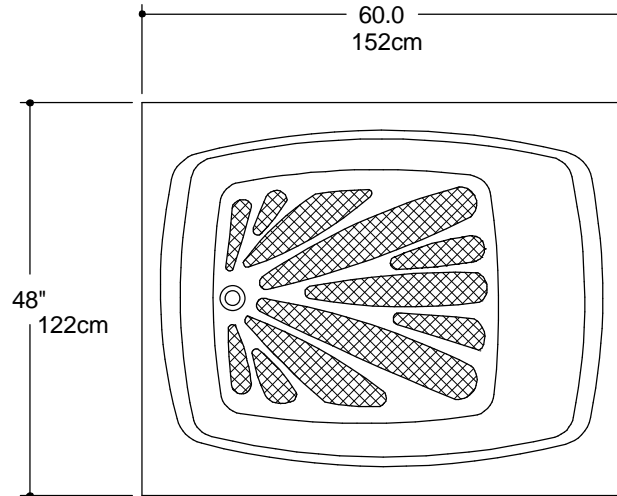


**MK27**



GRUBER SYSTEMS RESERVES THE RIGHT TO CHANGE THIS INFORMATION AT ANY TIME WITHOUT PRIOR NOTICE. ISSUED BY GRUBER SYSTEMS INC., 25636 AVENUE STANFORD, VALENCIA, CA 91355, USA. COPYRIGHT 2002

MOLD PART	CATALOG No.	DESCRIPTION
MALE	<b>29027</b>	<b>F- MK 27 MALE</b>
FEMALE	<b>490278</b>	<b>F- MK 27 ONE PIECE</b>
2PC FEM DECK	<b>490271</b>	<b>F- MK 27 DECK</b>
2PC FEM BOT	<b>490272</b>	<b>F- MK 27 BOTTOM</b>
ULFF	<b>490279</b>	<b>ULFF MARK 27 48 X 60 X 19</b>
ULFF INSERT	<b>4902791</b>	<b>ULFF MARK 27 INSERT 1/2"</b>
NAME	<b>MK 27 BATHTUB 60" X 48" X 19 1/4" (152cm X 122cm X 49cm)</b>	
CAST WEIGHT	SCALE 1/2" = 1' 0"	DATE 8-30-02 PAGE No. T-18