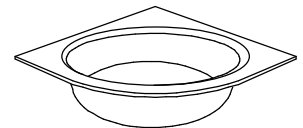
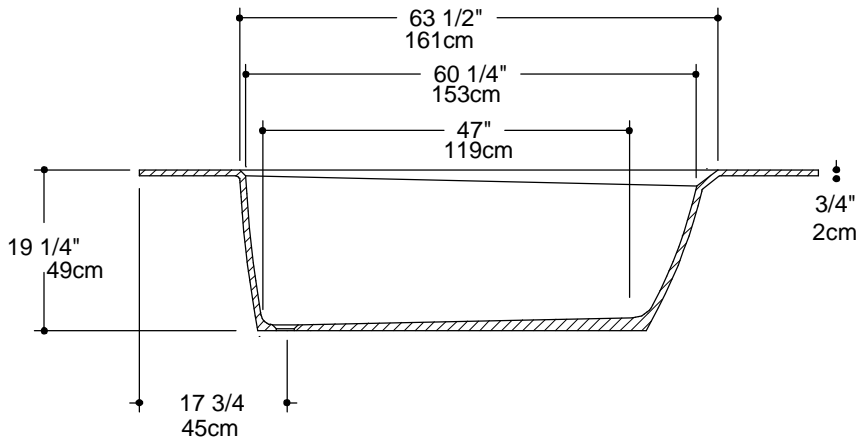
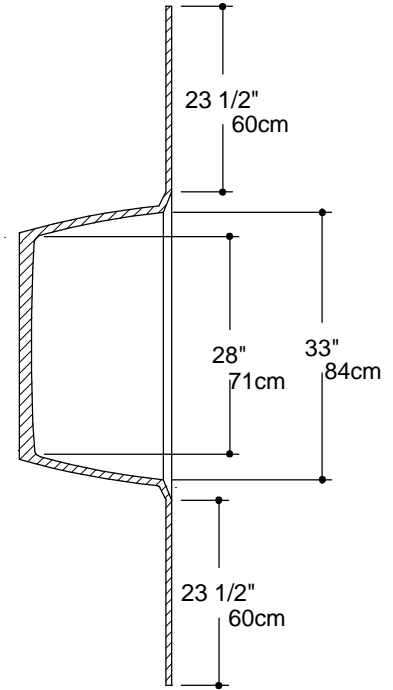
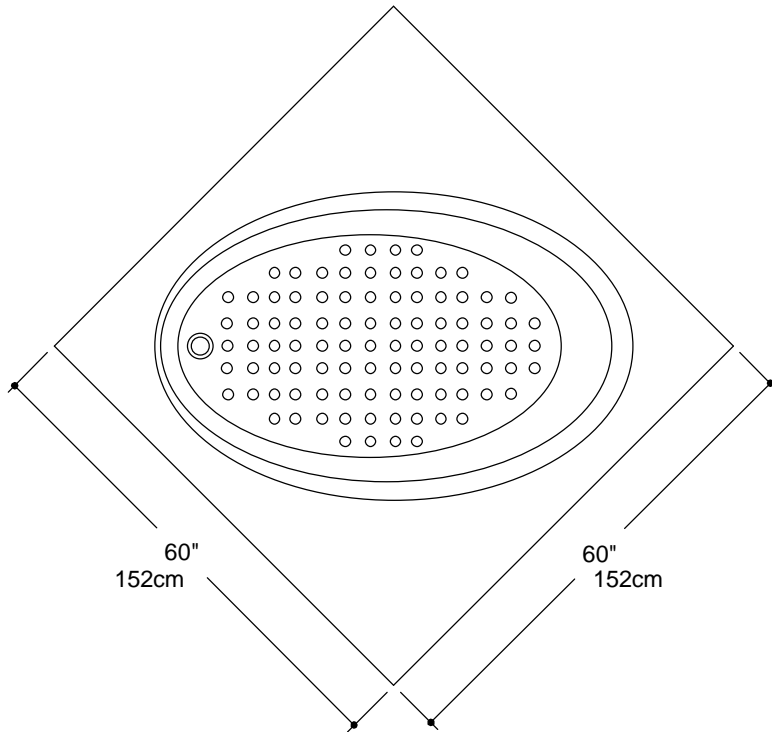
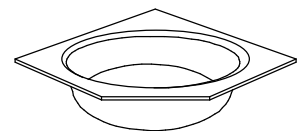


MK28

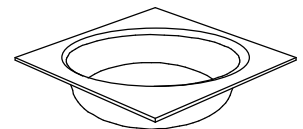
GRUBER SYSTEMS RESERVES THE RIGHT TO CHANGE THIS INFORMATION AT ANY TIME WITHOUT PRIOR NOTICE. ISSUED BY GRUBER SYSTEMS INC., 25636 AVENUE STANFORD, VALENCIA, CA 91355, USA. COPYRIGHT 2002



CURVED DECK DEMOLDED FROM A BLOCKED MOLD



CUT CORNER AS DEMOLDED FROM A BLOCKED MOLD



SQUARE DECK AS DEMOLDED FROM AN UNBLOCKED MOLD

MOLD PART	CATALOG No.	DESCRIPTION
MALE	29028	MK 28 MALE
FEMALE	490288	F- MK 28 ONE PIECE
ULFF	490289	ULFF MK 28-1/2" (RED)
ULFF INSERT	4902891	ULFF MK 28 INSERT
SPEEDY PLUG	29110	SPEEDY PLUG
DIVIDER	010974	YELLOW DIVIDER
NAME	MARK 28 UNIV. CRNR. TUB 60" X 60" X 19 1/4" (152cm X 152cm X 49cm)	
CAST WEIGHT	SCALE 1/2" = 1' 0"	DATE 8-30-02 PAGE No. T-19