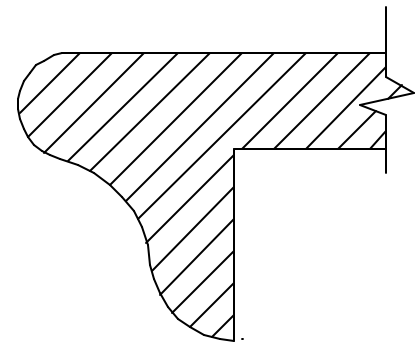
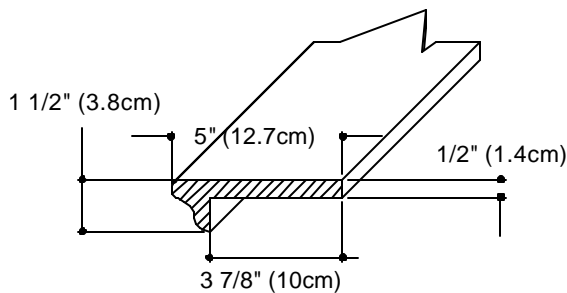
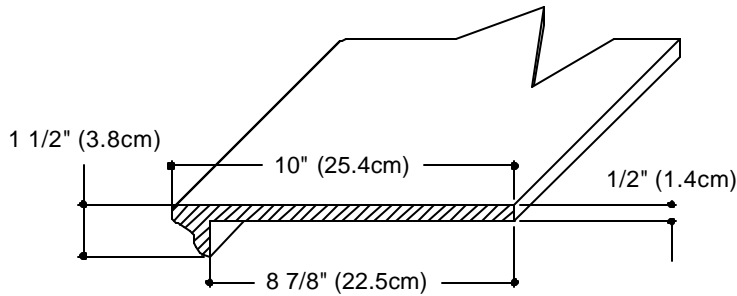
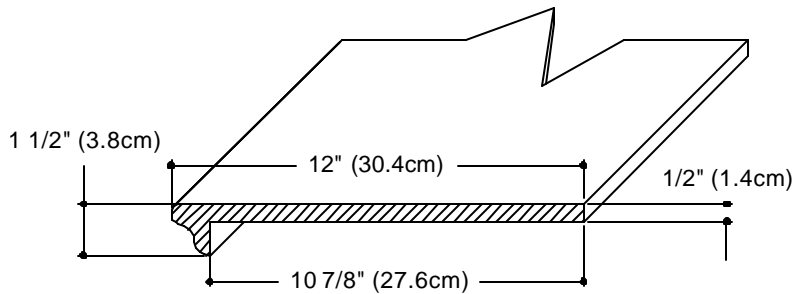
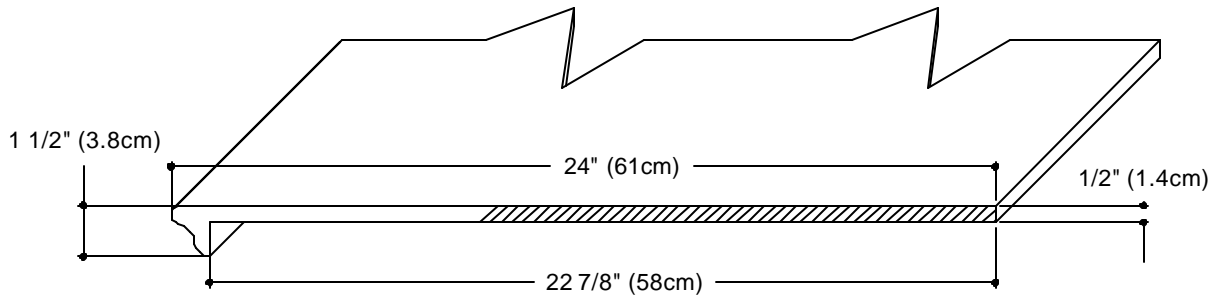


GRUBER SYSTEMS RESERVES THE RIGHT TO CHANGE THIS INFORMATION AT ANY TIME WITHOUT PRIOR NOTICE. ISSUED BY GRUBER SYSTEMS INC., 25636 AVENUE STANFORD, VALENCIA, CA 91355, USA. COPYRIGHT 2002



DETAIL SECTION
SCALE FULL SIZE

MOLD PART	CATALOG No.	DESCRIPTION	WIDTH	LENGTH
MALE	228185	180-18 5 CORNICED WINDOW SILL	5"	122"
MALE	22818	180-18 10 CORNICED WINDOW SILL	10"	122"
MALE	22874	180-18 12 CORNICED SILL	12"	122"
MALE	22873	180-18 24 CORNICED SILL	24"	122"
MALE	228181	180-18 25-37 CORNICED WINDOW SILL	24"	122"
MALE	228182	180-18 49-61 CORNICED WINDOW SILL	24"	49"
MALE	228183	180-18 73 CORNICED WINDOW SILL	24"	73"
DIVIDER	01086	YEL.DIV. WIND/SILL 180-18		
NAME		180 STYLE CORNICED SILL MOLDS		
CAST WEIGHT		SCALE SEE DETAIL	DATE 8-30-02	PAGE No. AC-15